

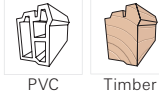
Designo R3 – Product Card

Side-hung roof access window (WD block)



Benefits in a nutshell:

- + easy opening of the side-hung sash including protection against slamming thanks to pneumatic spring
- + thermal insulation (WD block) gives even 15% better energy balance of the roof window, optimal temperature in the house, lower heating and air-conditioning costs and airtight combination of the window with vapour barriers of the roof
- + 3 protective layers of the timber securing from the destructive influence of the sun and humidity
- + third security grade (timber) and the highest fifth security grade (PVC) protecting from hits from outside are proof of unique durability and safety of you and your family
- + no visible screws in the roof window covering ensure outstanding airtightness of the roof window and at the same time the aesthetic external appearance
- + modern shape of the roof window covering guarantees harmonious integration of the window with the roof
- + attractive colour of the roof window covering (anthracite-metallic) is the perfect composition with every kind of the roofing, ensuring architects more flexibility and ease of designing

Model of the window	+ Designo R3
Type of the window	+ side-hung roof access window
Usage	+ 20° to 65° roof slope (R39 074/118 – 40° to 65°)
Handle	+ convenient handle at the bottom of the sash
Material	 PVC Timber
Opening	+ manual
Energy efficiency	+ $U_w = 1,3-1,1$ + thermal insulation (WD block) with better energy balance of the roof window
Easy installation	+ pre-installed assembly brackets and the roof window covering + pre-installed thermal insulation (WD block) with the vapour barrier film
Product quality	+ 3 protective layers of the timber + third security grade (timber) and the highest fifth security grade (PVC)
Functionality	+ can be successfully used in heated premises, thanks to the same insulation parameters insulation properties of standard roof windows + opening to the side: left or right (selectable) + convenient access to the roof for chimney during maintenance works
Design	+ no visible screws in the roof window covering + modern shape of the roof window covering + attractive colour of the roof window covering – anthracite-metallic

Technical specifications

	U _g value W/(m ² K) EN 673	U _w value W/(m ² K) EN 12567-2	g value in % EN 410	sound insulation class VDI 2719	sound insulation value R _w [dB] EN 20140-3	air permeability class EN 12207
Double Standard (5)						
R35 H200	1.0	1.3	52	2	32 (0; -2) dB	4
R35 K200	1.0	1.3	52	2	32 (-1; -3) dB	3
Double Comfort (8)						
R38 H200	1.0	1.3	51	2	32 (-2; -5) dB	4
R38 K200	1.0	1.3	51	2	32 (-2; -3) dB	3
Triple Standard (9)						
R39 H200	0.7	1.1	47	2	33 (-1; -2) dB	4
R39 K200	0.7	1.1	47	2	35 (-1; -3) dB	3

H = timber

K = PVC

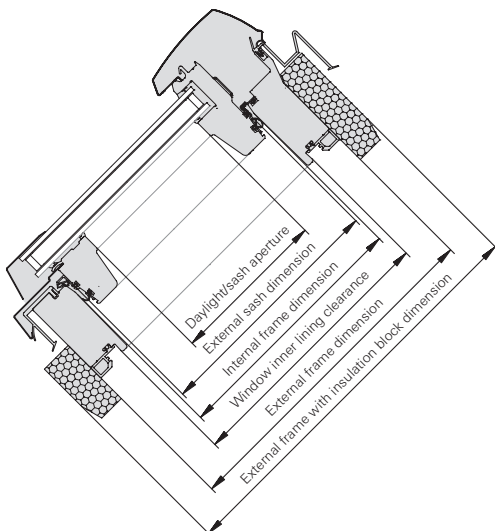
Window dimensions

Window size	054/098	065/118	074/098	074/118 ¹⁾	094/098 ²⁾
External frame dimension (mm)	540/980	650/1180	740/980	740/1180	940/980
External frame with insulation block dimension (mm)	600/1040	710/1240	800/1040	800/1240	1000/1040
Internal frame dimension (mm)	464/904	574/1104	664/904	664/1104	864/904
External sash dimension (mm)	456/895	566/1095	656/895	656/1095	856/895
Daylight/sash aperture (mm)	382/820	492/1020	582/820	582/1020	782/820
Window inner lining clearance (mm)	480/920	590/1120	680/920	680/1120	880/920
Pane surface (daylight area) (m ²)	0,31	0,50	0,48	0,59	0,64

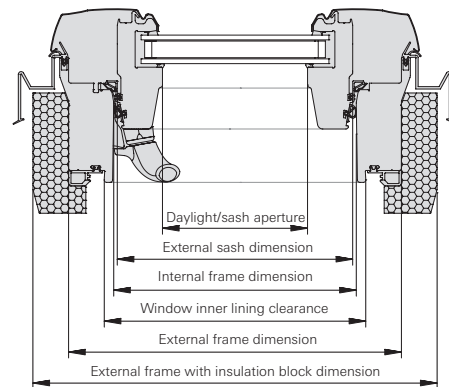
¹⁾ Size only available for the R39 model

²⁾ Size only available for the R35 and R38 models

Cross Section A-A



Cross Section B-B



Cross Sections in PVC